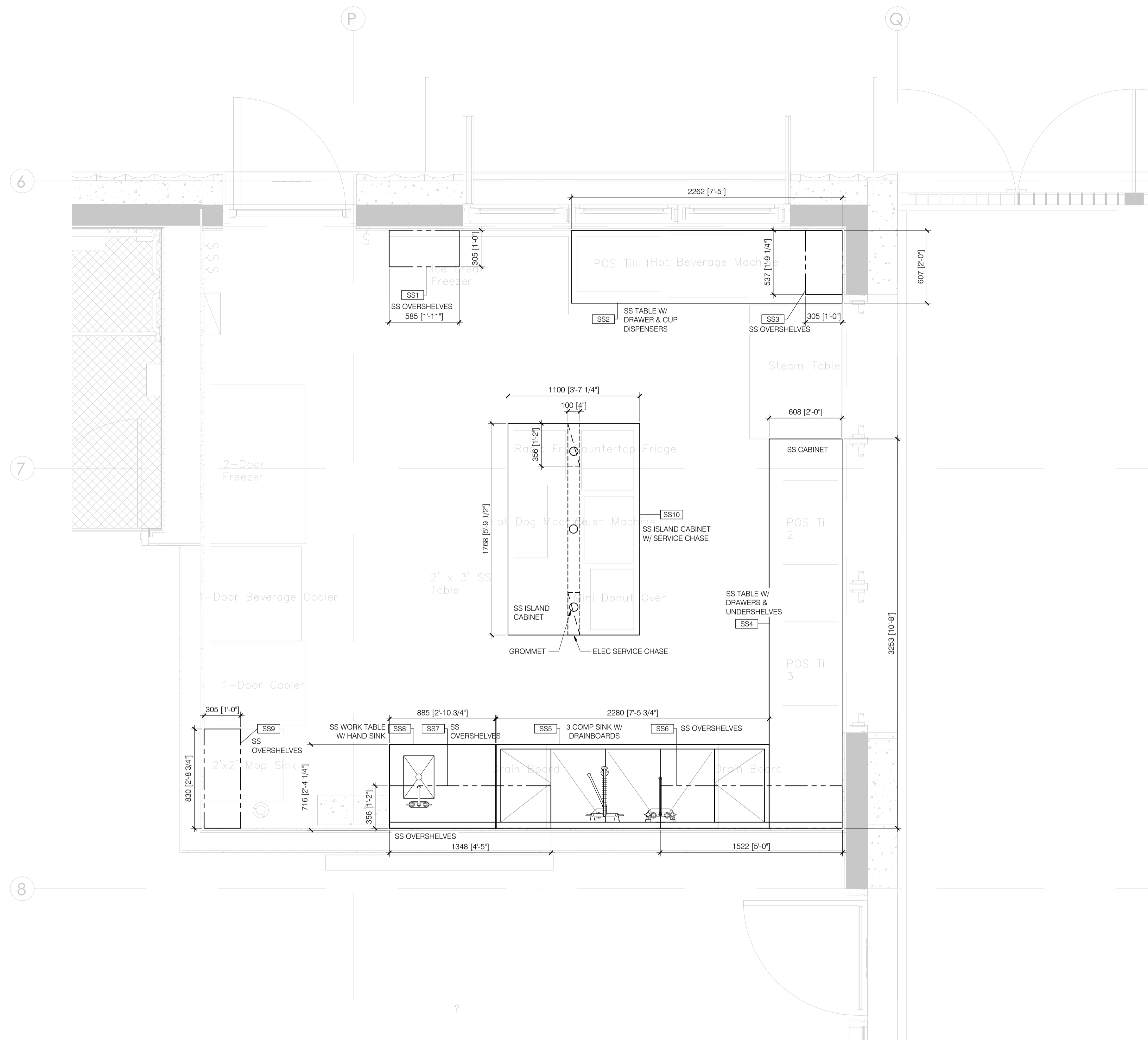


FOUNDRY
Foodservice
Design

foundrykitchens.com
@foundrykitchens



1 SS EQUIPMENT LAYOUT
FS1.0 SCALE 1:20

4	24.09.25	ISSUED FOR RFP
3	24.08.20	COORDINATION
2	24.08.15	COORDINATION
1	24.07.25	COORDINATION

General Note

THIS DRAWING IS THE COPYRIGHT PROPERTY OF FOUNDRY COMMERCIAL KITCHEN. ALL DESIGN AND OTHER INFORMATION SHOWN IN THIS DRAWING ARE FOR USE ON THE SPECIFIED PROJECT ONLY AND SHALL NOT BE REPRODUCED IN ANY MANNER, UNLESS WRITTEN PERMISSION IS OBTAINED FROM FOUNDRY COMMERCIAL KITCHEN.

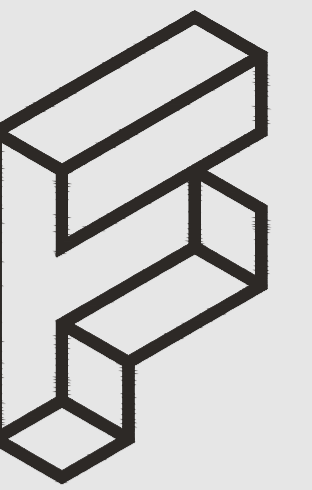
Project Title

SPANI POOL CONCESSION

Drawing Title

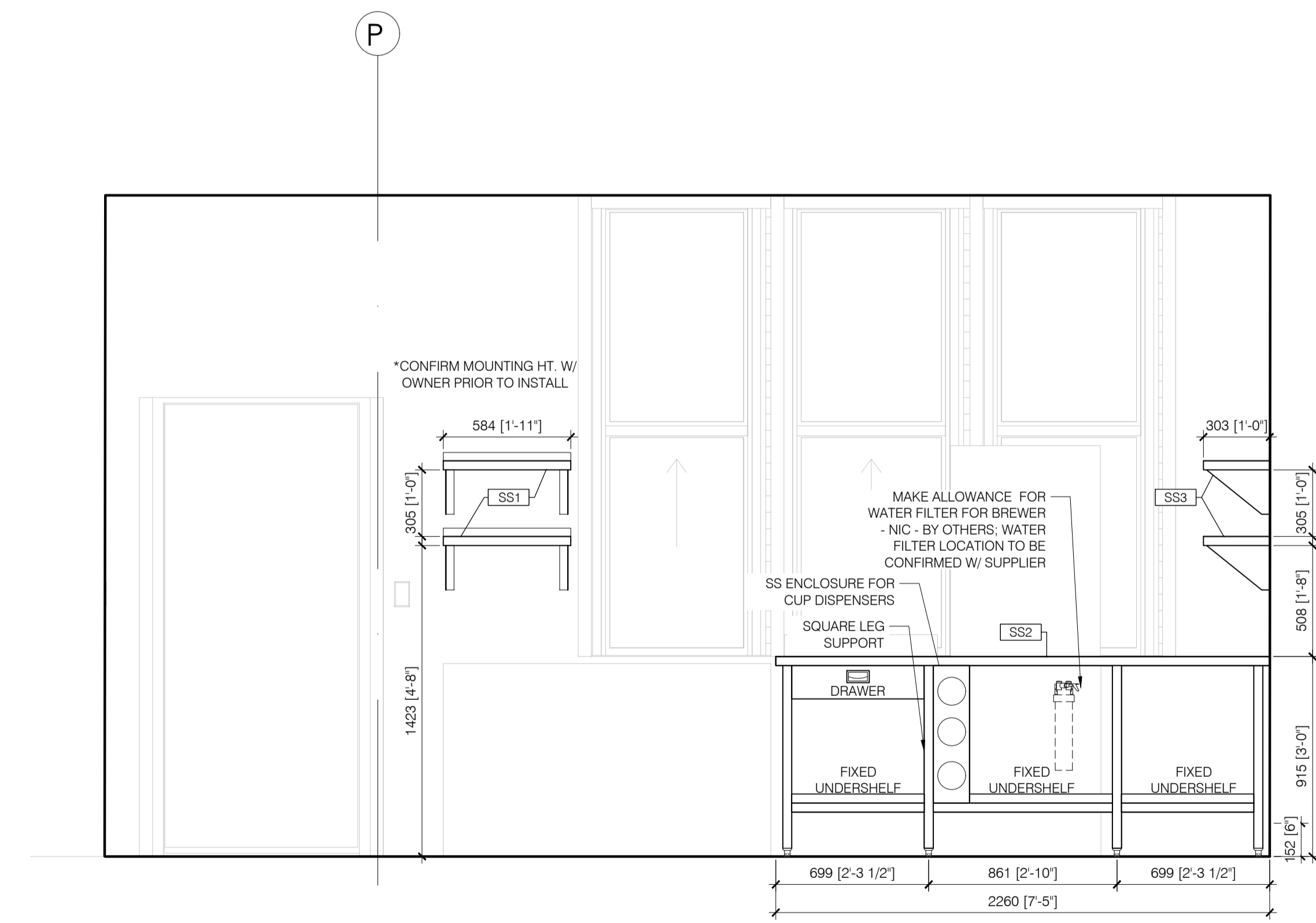
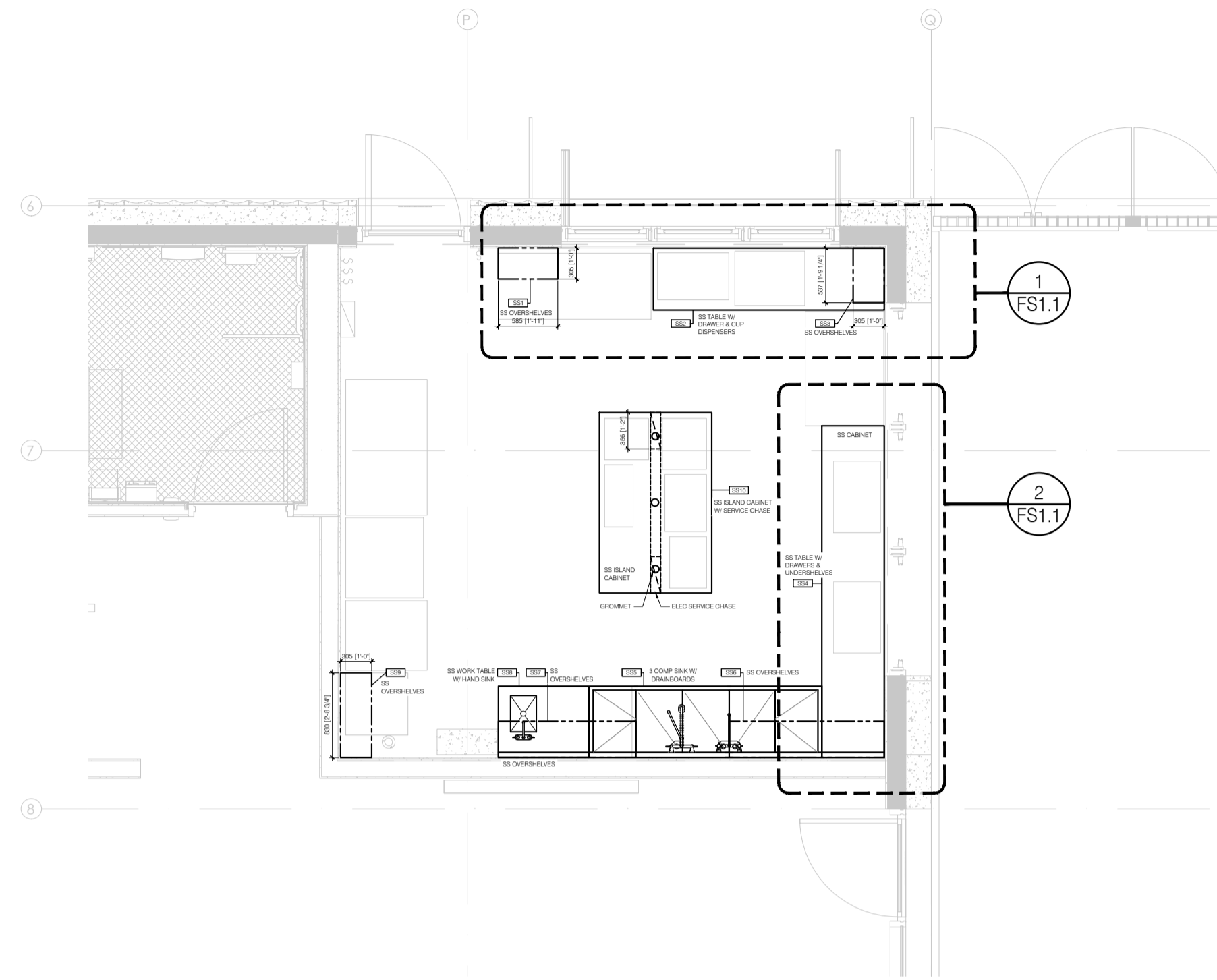
**KITCHEN STAINLESS
EQUIPMENT LAYOUT**

Project No: D-24-029	Scale: 1:20	Date: 24-07-24
Design: EK	Drawn: EK	Review: ST

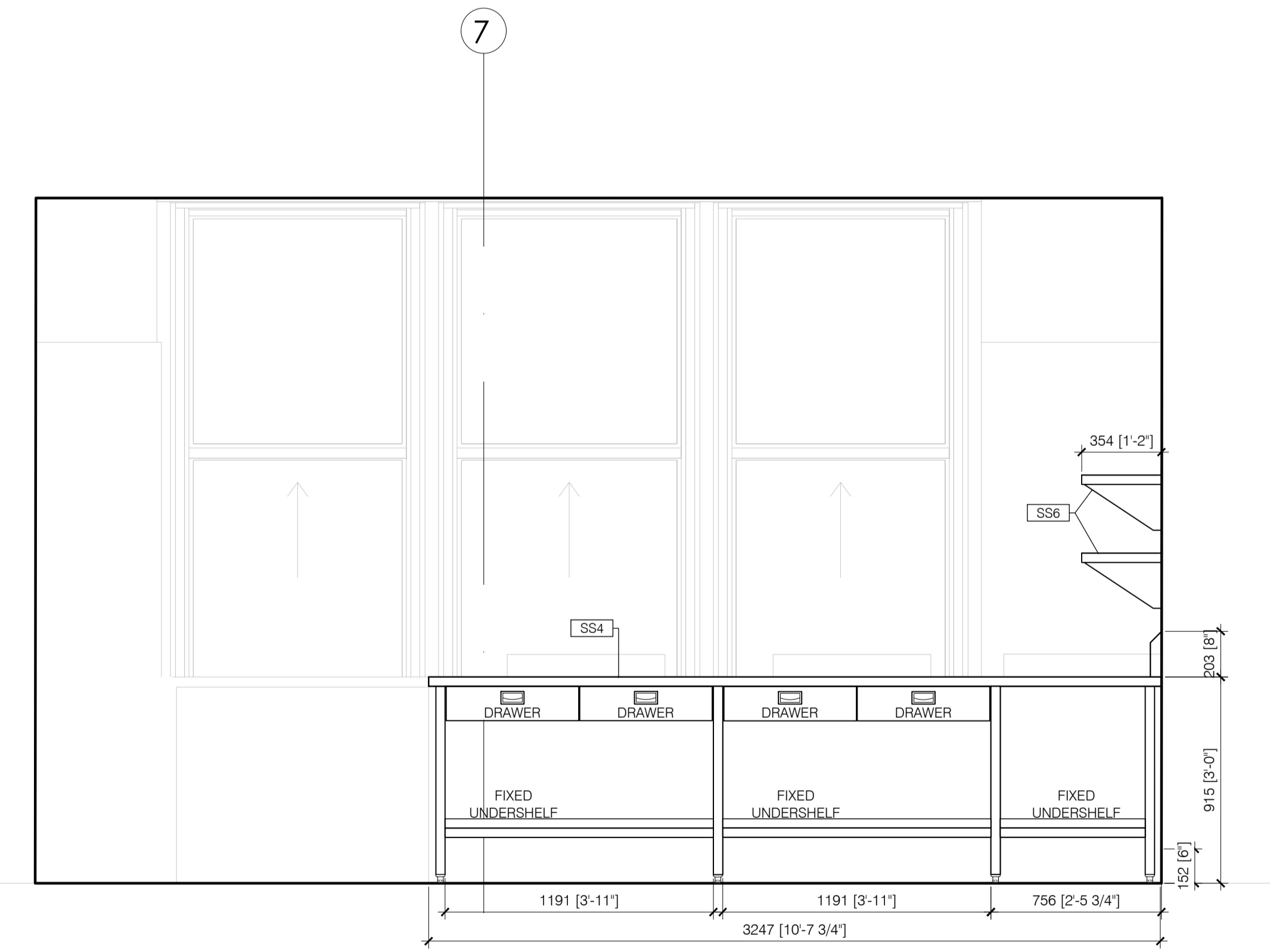


FOUNDRY
Foodservice
Design

foundrykitchens.com
@foundrykitchens



1 ELEVATION - NORTH
FS1.1 SCALE 1:20



2 ELEVATION - EAST
FS1.1 SCALE 1:20

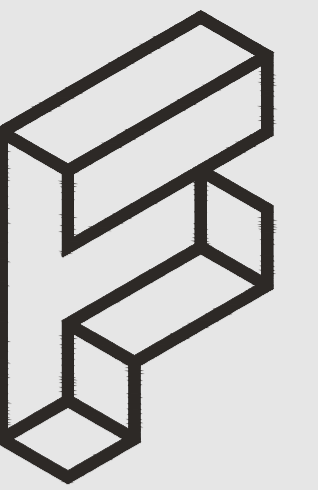
4	24.09.25	ISSUED FOR RFP
3	24.08.20	COORDINATION
2	24.08.15	COORDINATION
1	24.07.25	COORDINATION

General Note
THIS DRAWING IS THE COPYRIGHT PROPERTY OF FOUNDRY COMMERCIAL KITCHEN. ALL DESIGN AND OTHER INFORMATION SHOWN IN THIS DRAWING ARE FOR USE ON THE SPECIFIED PROJECT ONLY AND SHALL NOT BE REPRODUCED IN ANY MANNER, UNLESS WRITTEN PERMISSION IS OBTAINED FROM FOUNDRY COMMERCIAL KITCHEN.

Project Title
SPANI POOL CONCESSION

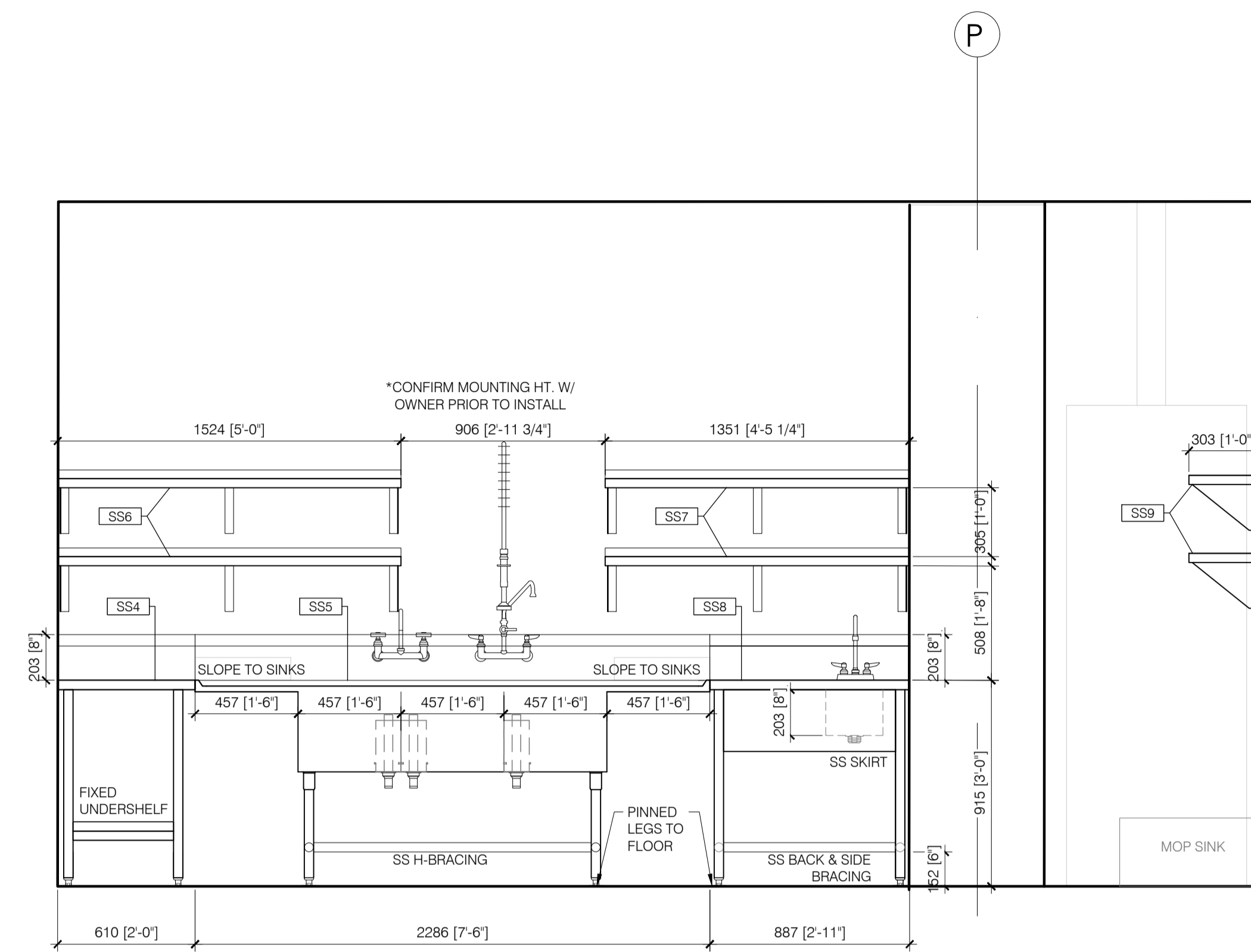
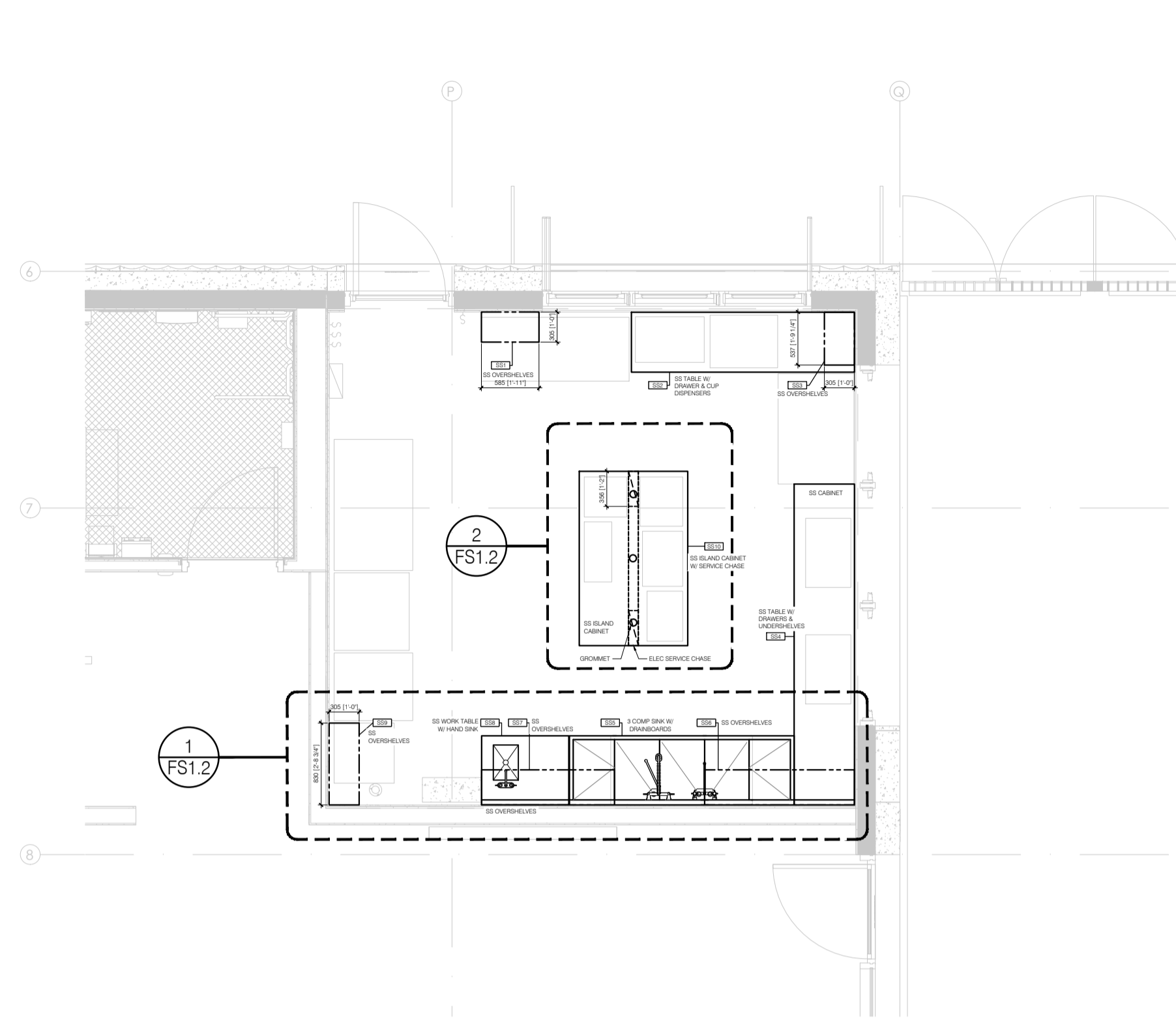
655 HILLCREST ST. COQUITLAM, BC
Drawing Title
KITCHEN STAINLESS EQUIPMENT ELEVATIONS

Project No:	Scale:	Date:
D-24-629	1:20	24-07-24
Design:	Drawn:	Review:
EX	EX	ST

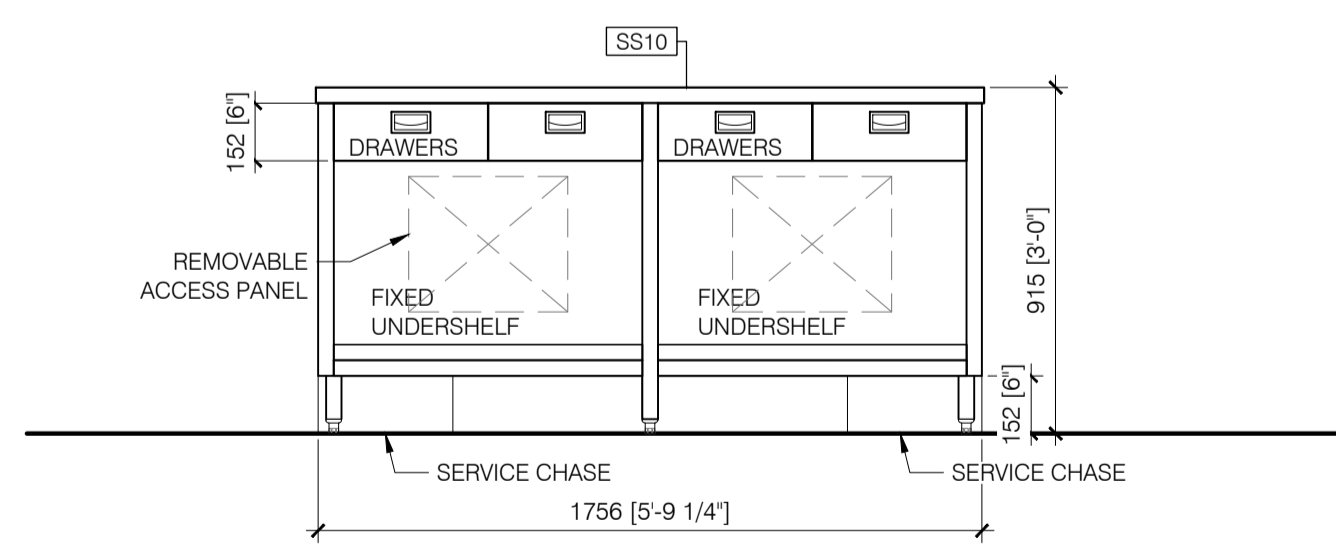


FOUNDRY
Foodservice
Design

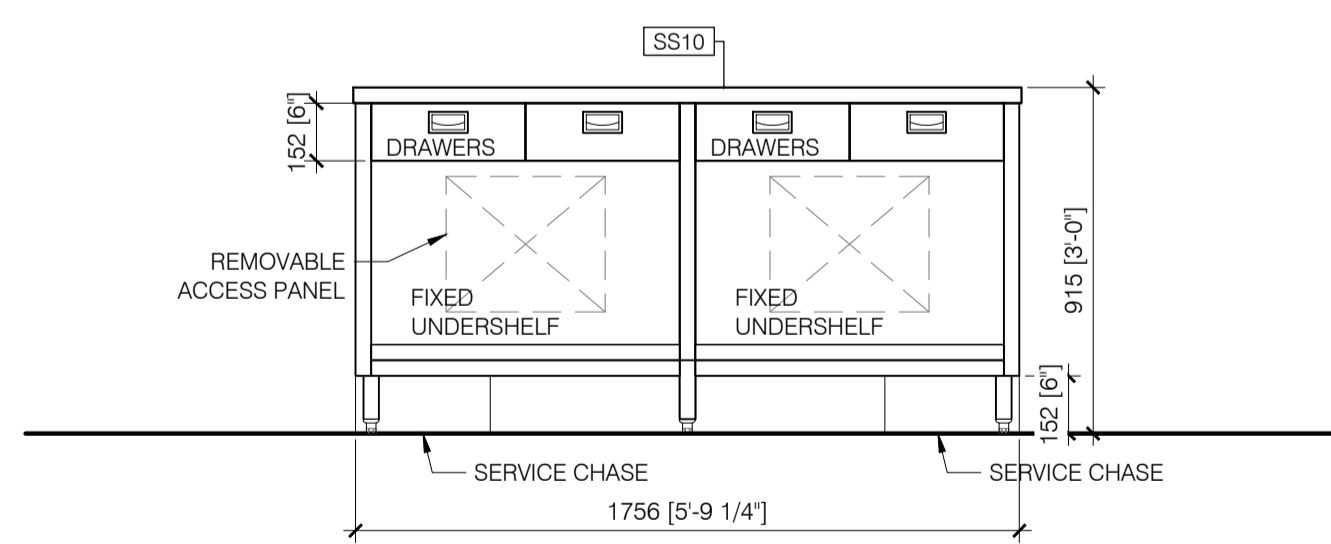
foundrykitchens.com
@foundrykitchens



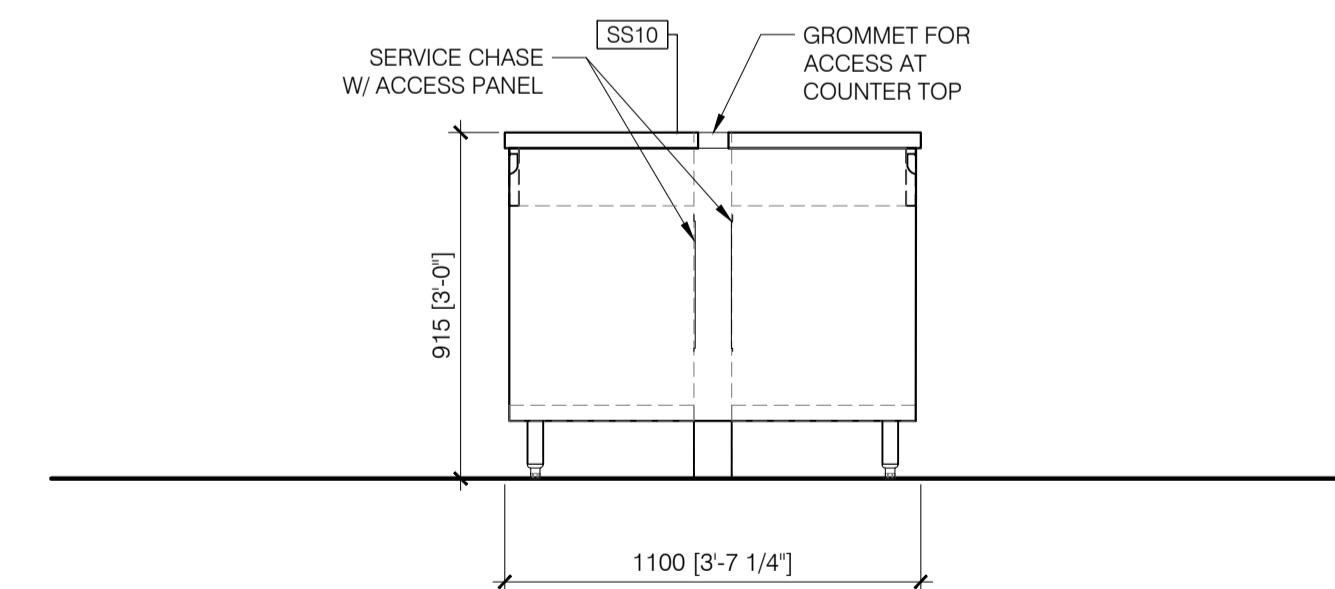
1 ELEVATION - WEST
FS1.2 SCALE 1:20



2A ISLAND SS CABINET - WEST
FS1.2 SCALE 1:20



2B ISLAND SS CABINET - EAST
FS1.2 SCALE 1:20



2C ISLAND SS CABINET - NORTH
FS1.2 SCALE 1:20

4	24.09.25	ISSUED FOR RFP
3	24.08.20	COORDINATION
2	24.08.13	COORDINATION
1	24.07.25	COORDINATION

Issued for

General Note

THIS DRAWING IS THE COPYRIGHT PROPERTY OF FOUNDRY COMMERCIAL KITCHEN. ALL DESIGN AND OTHER INFORMATION SHOWN IN THIS DRAWING ARE FOR USE ON THE SPECIFIED PROJECT ONLY AND SHALL NOT BE REPRODUCED IN ANY MANNER, UNLESS WRITTEN PERMISSION IS OBTAINED FROM FOUNDRY COMMERCIAL KITCHEN.

Project Title

SPANI POOL CONCESSION

655 HILLCREST ST. COQUITLAM, BC

Drawing Title

**KITCHEN STAINLESS
EQUIPMENT ELEVATIONS**

Project No:	Scale:	Date:
D-24-029	1:20	24-07-24
Design:	Drawn:	Review:
EX	ST	ST