

# CITY OF COQUITLAM - CHARLES BEST ARTIFICIAL TURF FIELD REPLACEMENT

## (PROJECT DRAWINGS - ISSUED FOR PROPOSAL)

### PROJECT LOCATION MAP



| CONTACT INFORMATION   |  |
|---|--|
| <p><b>PROJECT OWNER:</b></p> <p>CITY OF COQUITLAM<br/>3000 GUILFORD WAY<br/>COQUITLAM, BC V3B 7N2</p> <p><b>CONTACTS:</b></p> <p>MANAGER PARKS CAPITAL PROJECTS<br/>IAN TOM<br/>ITOM@COQUITLAM.CA<br/>604.218.2500</p> <p>PARKS CAPITAL PROJECT COORDINATOR:<br/>IRENE SHAMS<br/>ISHAMS@COQUITLAM.CA<br/>604.671.0276</p> | <p><b>PROJECT CONSULTANT:</b></p> <p>N/A</p> |
| LEGAL ADDRESS AND DESCRIPTION   |  |
| 2525 Como Lake Ave, Coquitlam, BC V3J 6W5   |  |

| SHEET TABLE LIST |               |
|------------------|---------------|
| A0               | COVER PAGE    |
| TBD              | SITE PLAN     |
| TBD              | LINE MARKINGS |
| A3               | DETAILS       |

PROJECT TITLE  
CHARLES BEST ARTIFICIAL  
TURF FIELD REPLACEMENT

ENGINEER SEAL / STAMP  
N/A

SCALE  
N/A

REVISION SET  
IFP

DRAWN BY  
IS

SHEET TITLE  
COVER

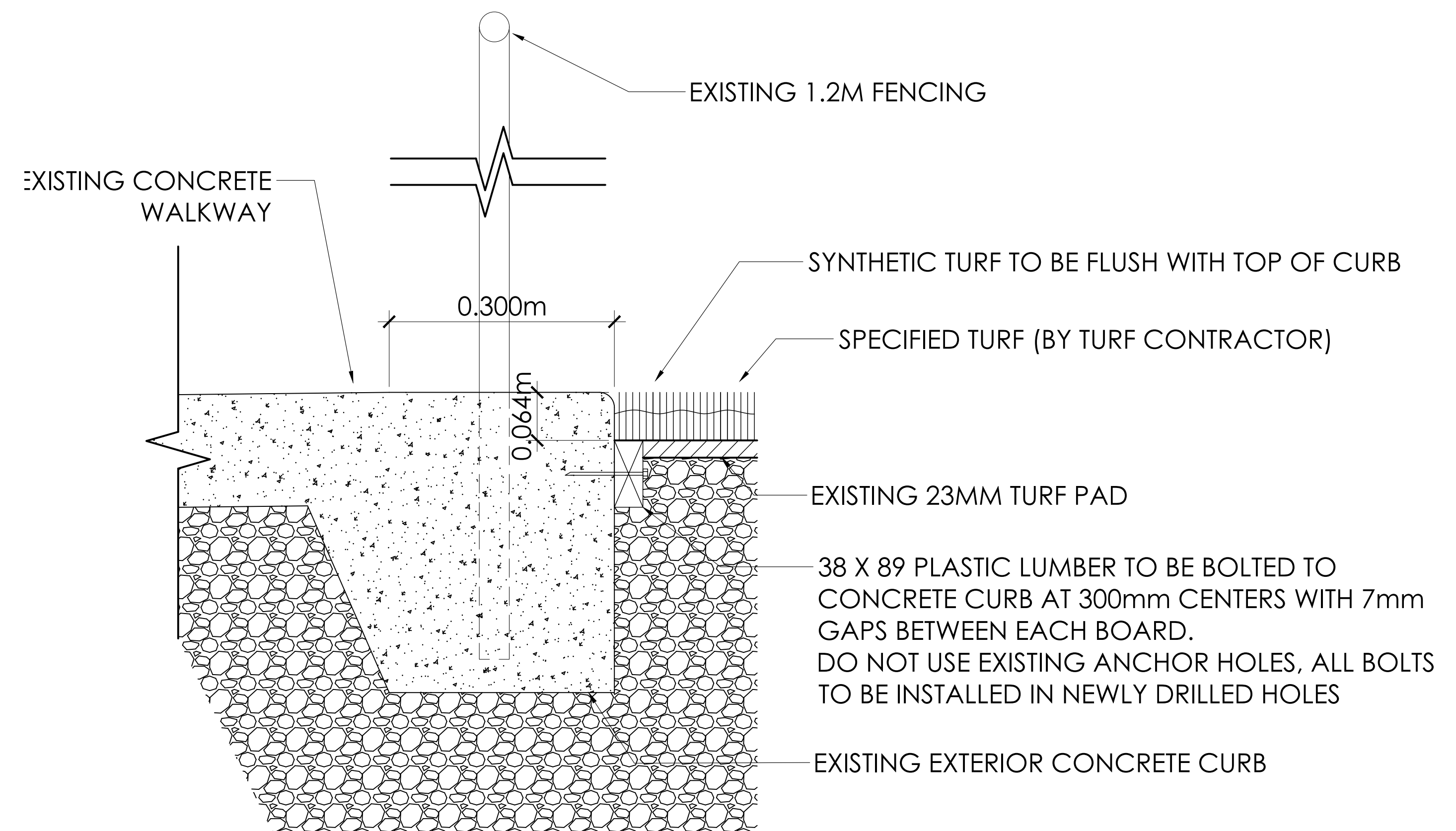
DATE  
JAN 06 2025

SHEET NUMBER

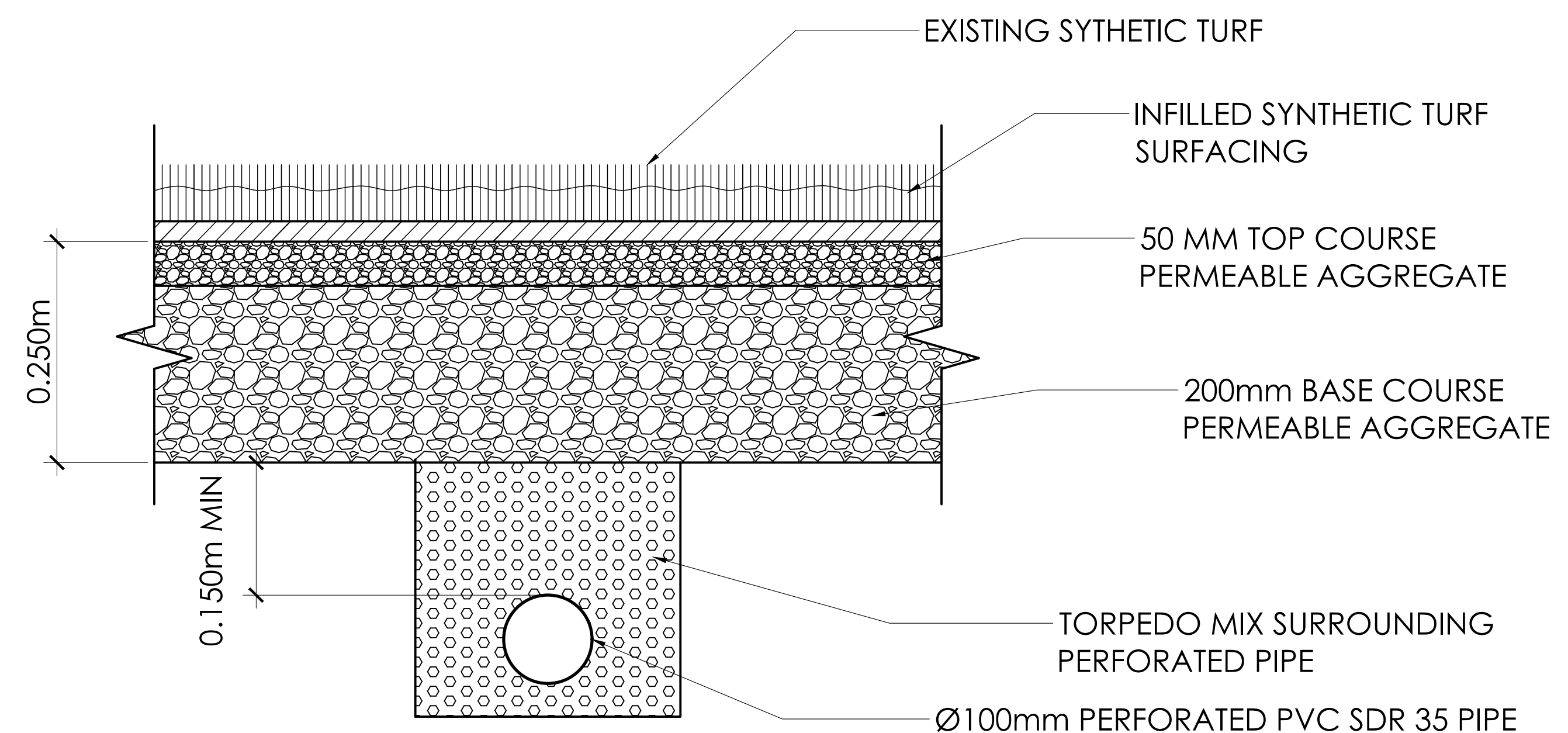
A0



**1 ACCESS / STAGING AREA LOCATIONS**  
SCALE - N/A



**2 CONCRETE EDGE TO TURF DETAIL**  
SCALE - 1:5



**3 EXISTING & PROPOSED TURF ASSEMBLY**  
SCALE - 1:5

PROJECT TITLE  
CHARLES BEST ARTIFICIAL  
TURF FIELD REPLACEMENT

ENGINEER SEAL / STAMP  
N/A

SCALE  
AS NOTED

REVISION SET  
IFP

DRAWN BY  
IS

SHEET TITLE  
DETAILS  
DATE  
JAN 06 2026

SHEET NUMBER  
**A3**